

**MTG-GL-177**

REPLACES  
DRAWING NUMBER  
AO18-38

REVISIONS  
6/9/96  
AO18-276  
7/12/96  
AO18-293  
8/7/97  
CO-000083  
9/8/97  
CO-000106  
10/2/98  
CO-000288  
11/CO/395  
1/W 6/98

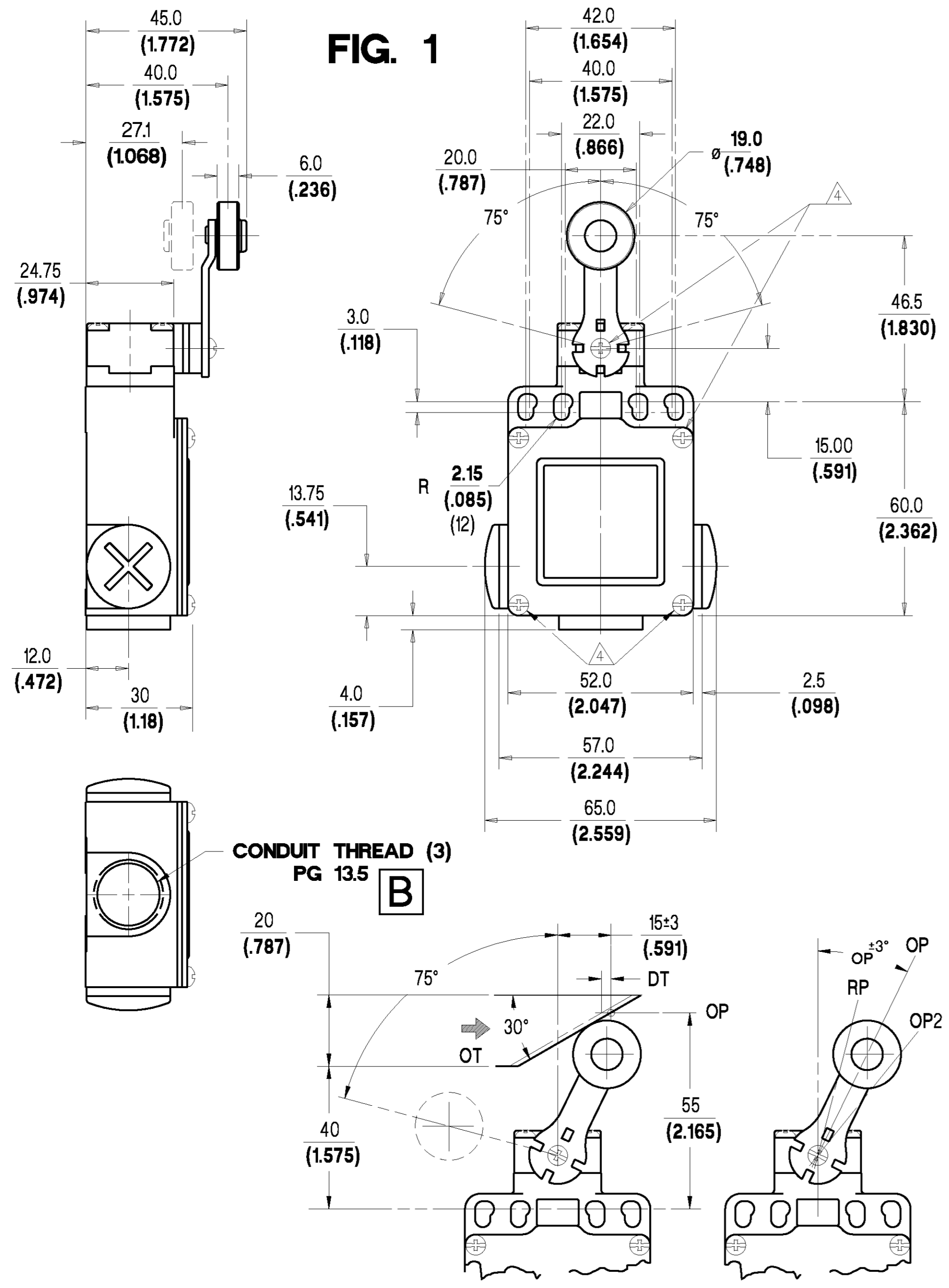
3/93  
DRAWN M. LOCH  
CHECK I. WEIR  
DESIGN J. BOYD  
AUTHOR N.P. TRICKETT

Honeywell

**LIMIT SWITCH**

CATALOGUE LISTING  
**GLS**  
CHART NO.  
**MTG-GL-177**

**FIG. 1**



CONDUIT THREAD (3)  
PG 13.5  
**B**

<p>SNAP-ACTION CONTACTS</p> <p>21-22 13-14 21-22 13-14 FP OP DT=9.8mm OT RP=5.2mm</p> <p>FP = 0° OP = 26° RP = 14.5° DT = 115° * = 54° OT = 61° to 75°</p>	<p>SLOW-ACTION CONTACTS (BREAK BEFORE MAKE)</p> <p>21-22 13-14 21-22 13-14 FP OP * OP2 OT 22.6mm</p> <p>FP = 0° OP = 23° * = 34° OP2 = 36° OT = 61° to 75°</p>	<p>SLOW-ACTION CONTACTS (MAKE BEFORE BREAK)</p> <p>21-22 13-14 21-22 13-14 FP OP OP2 * OT -4.4 15mm 27.9 40mm 53.5</p> <p>FP = 0° OP = 26° * = 50.5° OP2 = 39° OT = 61° to 75°</p>	<p>SLOW-ACTION CONTACTS (2 NORMALLY CLOSED)</p> <p>11-12 21-22 11-12 21-22 FP OP * OT 36.5mm</p> <p>FP = 0° OP = 26° * = 46.5° OT = 61° to 75°</p>	<p>SNAP-ACTION CONTACTS (DOUBLE POLE)</p> <p>13-14 21-22 13-14 21-22 FP OP DT=6.6mm * OT RP=8.4mm</p> <p>FP = 0° OP = 26° RP = 18° DT = 8° * = 54° OT = 61° to 75°</p>	<p>CONTACT BLOCK DIAGRAM TERMINAL DESIGNATION TO EN 50013</p> <p>NOMINAL TRAVELS AND RELATED TERMINALS</p> <p>CONTACT CLOSED</p> <p>CONTACT OPEN</p> <p>* POSITIVE OPENING TO IEC 947-5-1</p>
120 (1.1)	110 (1.0)	110 (1.0)	110 (1.0)	165 (1.5)	NORMAL OPERATING TORQUE MAX
140 (1.3)	160 (1.5)	170 (1.6)	150 (1.4)	165 (1.5)	MAXIMUM DISCONNECT TORQUE



BASIC SWITCH  
CONDUIT THREAD (SEE FIGS. 1 & 2)

SIDE ROTARY ACTUATOR (SEE FIG. 1)  
AIA = PLASTIC ROLLER  
AIB = METAL ROLLER

HEAD ORIENTATION AND LEVER DIRECTION OF OPERATION (SEE FIG. 3)

EN50047 BODY TYPE (SEE FIG. 1) **GLE** **X** **XX** **XXX** **-X** **XXXX** MODIFICATION CODE

1/2" NPT X 14 CONDUIT THREAD ADAPTER

PG 13.5 CONDUIT THREAD

M20 X 1.5 CONDUIT THREAD

PF 1/2 CONDUIT THREAD

CABLE 5 WIRE, WITH GROUND. LAST CHARACTER IS CABLE LENGTH I = 1MTR. CABLE LENGTHS ARE FROM 1 TO 9 METRES. ONLY AVAILABLE WITH CONDUIT THREAD TYPE 'B'.

**A** 01 **A1A** 1 **C021**

**B** 03 **A1B** 2

**C** 04 3

**D** 06 4

07 5

24

32

33

34

36

**Q01** CONNECTOR .4 PIN MICRO. ONLY AVAILABLE WITH CONDUIT THREAD TYPE 'B'.

**Q02** CONNECTOR .5 PIN MICRO TWIN KEYWAY. ONLY AVAILABLE WITH CONDUIT THREAD TYPE 'B'.

**Q03** CONNECTOR .4 PIN MINI. ONLY AVAILABLE WITH CONDUIT THREAD TYPE 'B'.

**Q04** CONNECTOR .5 PIN MINI. ONLY AVAILABLE WITH CONDUIT THREAD TYPE 'B'.

**Q07** CONNECTOR .5 PIN MICRO. ONLY AVAILABLE WITH CONDUIT THREAD TYPE 'B'.

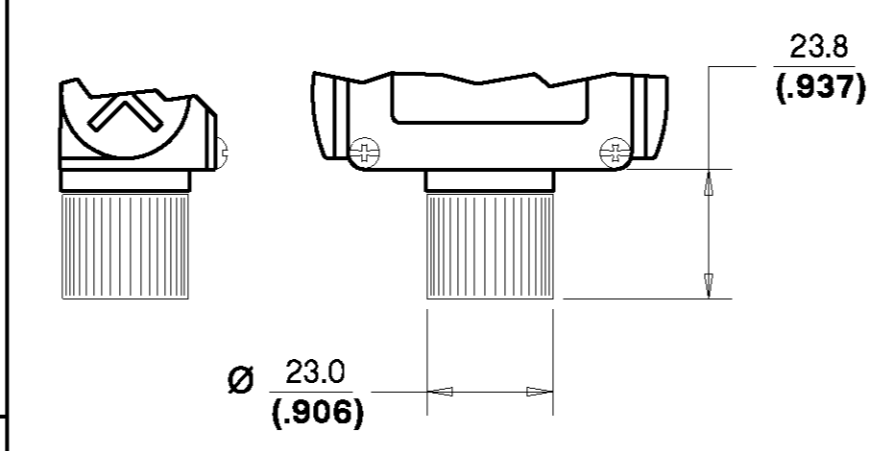
NOTE :- ANY STANDARD LISTING WITH SUFFIX 'RS' OR 'FE' IS PERMITTED.

BLANK = LEVER TO FRONT, SWITCHING IN BOTH DIRECTIONS.

- NOTES:-
- ZINC DIECAST BODY AND HEAD WITH STEEL COVER. BODY AND COVER FINISHED IN MICRO SWITCH BLUE EPOXY PAINT. HEAD FINISHED IN BLACK EPOXY PAINT.
  - MINIMUM OPERATING VELOCITY (V<sub>min</sub>) = 2.0 MM/S (THESE LIMITS APPLY TO CAM OPERATION AS SHOWN IN THE ABOVE DIAGRAMS ONLY)  
MAXIMUM OPERATING VELOCITY (V<sub>max</sub>) = 200 MM/S  
MAXIMUM OPERATING FREQUENCY (F<sub>max</sub>) = 250 OPS/MIN
  - FREE POSITION (FP), OPERATING POINT (OP), OVERTRAVEL (OT) AND PRETRAVEL (PT) ALL TO EN50047.
  - MAXIMUM TIGHTENING TORQUE FOR FIXING SCREW = 0.5Nm (4.4in.LB)

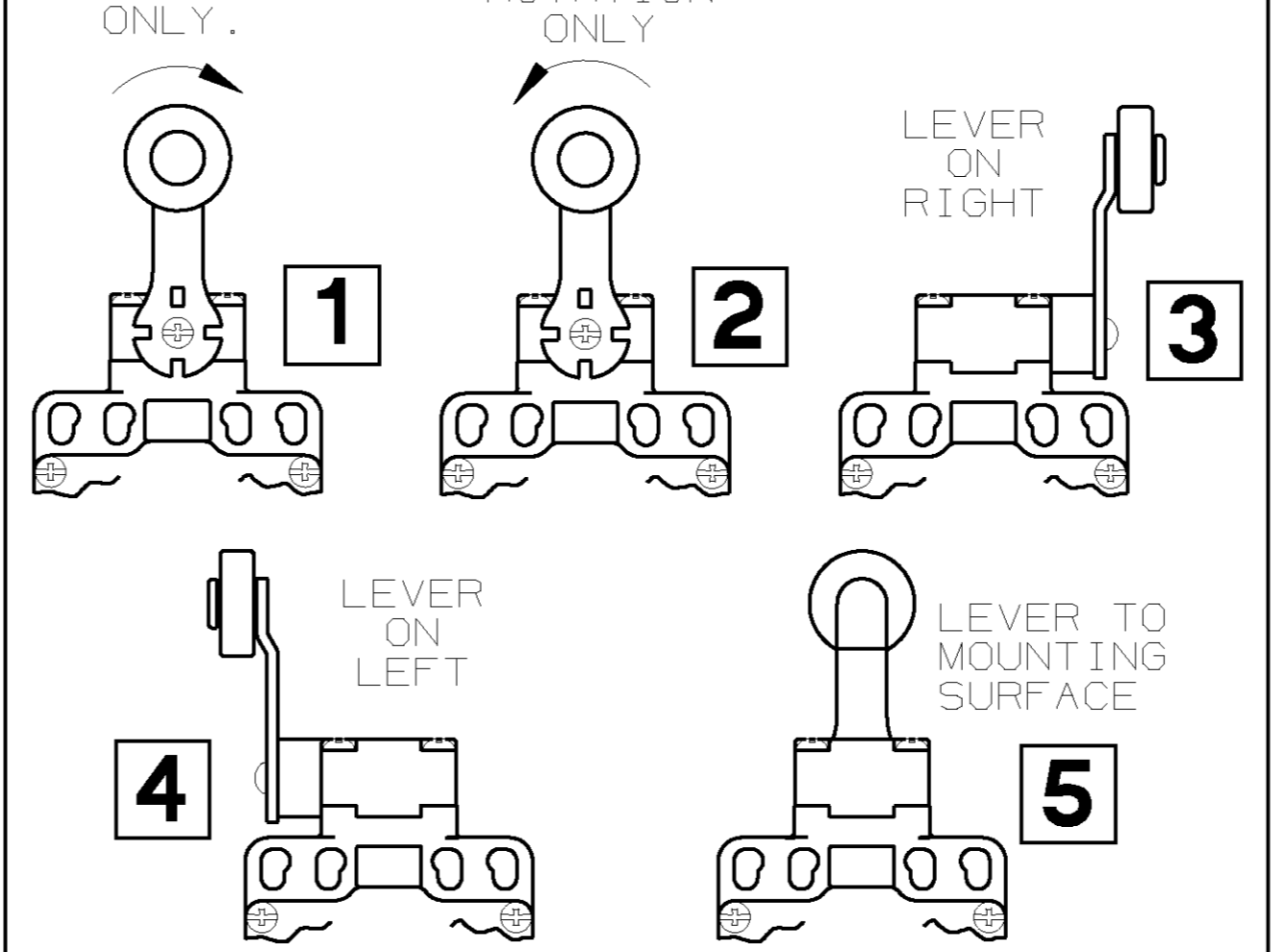
NO CHANGES CAN BE MADE TO THIS DRAWING WITHOUT JOINT NEWHOUSE/FREEPORT APPROVAL

**FIG 2**



1/2" NPT X 14 CONDUIT THREAD ADAPTER **A**

**FIG 3**



NOTE: FOR CONNECTION DIAGRAMS AND ADDITIONAL ELECTRICAL, ENVIRONMENTAL & DIMENSIONAL INFORMATION SEE DRAWING GL-49212.

NOTE:- CABLE AND CONNECTOR WILL BE FITTED TO BOTTOM EXIT CONDUIT ONLY. OTHER OPTIONS CUSTOMER SPECIAL 'N' LISTING.

STANDARD SILVER CONTACTS	GOLD PLATED CONTACTS	ENVIRONMENTAL		APPROVALS
ELECTRICAL RATING	ELECTRICAL RATING	ENVIRONMENTAL		APPROVALS
AC A300 AC15 Ue 1e	DC O300 DC13 Ue 1e	IP66 NEMA 1, 4, 12, 13		UL IEC 947-5-1 EN50047
VOLTS AMPS 120 6 240 3	VOLTS AMPS 125 0.55 250 0.27	TEMP RANGE : -25°C TO 85°C -13°F TO 185°F STORAGE : -40°C TO 85°C -40°F TO 185°F		
I <sub>th</sub> = 10A		SHOCK : 50G PER IEC 68-2-27 VIBRATION : 10G PER IEC 68-2-6		
IV 10µA MIN. 50V 100mA MAX.		SCALE DIMENSIONS ARE IN MM/INCHES.		MODIFY ON CAD/3D SYSTEM ONLY

THE COPYRIGHT OF THIS DRAWING IS THE PROPERTY OF HONEYWELL LTD. THE DRAWING IS SUPPLIED IN CONFIDENCE AND MUST NOT BE USED FOR ANY PURPOSE OTHER THAN THAT FOR WHICH IT IS SUPPLIED.

THIRD ANGLE PROJECTION